

# Ex certified stopping plugs

ISO - METRIC SELECTION TABLE		
STOPPING PLUG		
THREAD SIZE	E	NICKEL-PLATED BRASS CATALOG NUMBER
12	15.0	CAP190124
16	15.0	CAP190164
20	15.0	CAP190204
25	15.0	CAP190254
32	15.0	CAP190324
40	15.0	CAP190404
50	15.0	CAP190504
63	15.0	CAP190634
75	15.0	CAP190754
90	20.0	CAP199904
100	20.0	CAP191004
110	20.0	CAP191014

All dimensions in mm.

NPT - SELECTION TABLE		
STOPPING PLUG		
THREAD SIZE	E	NICKEL-PLATED BRASS CATALOG NUMBER
1/4"	15.5	CAP190194
3/8"	15.5	CAP190294
1/2"	20.2	CAP190394
3/4"	20.5	CAP190494
1"	25.3	CAP190594
1 1/4"	26.0	CAP190694
1 1/2"	26.5	CAP190794
2"	27.2	CAP190894
2 1/2"	40.5	CAP190994
3"	42.0	CAP191094
3 1/2"	43.2	CAP191194
4"	44.0	CAP191294

All dimensions in mm.

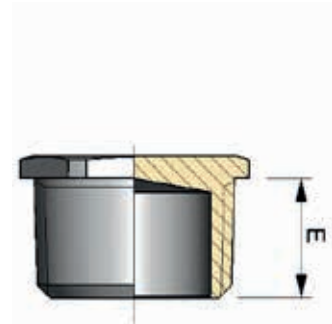


ISO - METRIC SELECTION TABLE		
STOPPING PLUG		
THREAD SIZE	E	STAINLESS STEEL 316L CATALOG NUMBER
12	17.0	CAP190129
16	17.0	CAP190169
20	17.0	CAP190209
25	17.0	CAP190259
32	17.0	CAP190329
40	17.0	CAP190409
50	17.0	CAP190509
63	17.0	CAP190639
75	17.0	CAP190759
90	22.0	CAP199909
100	22.0	CAP191009
110	22.0	CAP191019

All dimensions in mm.

NPT - SELECTION TABLE		
STOPPING PLUG		
THREAD SIZE	E	STAINLESS STEEL 316L CATALOG NUMBER
1/4"	15.5	CAP190199
3/8"	15.5	CAP190299
1/2"	20.2	CAP190399
3/4"	20.5	CAP190499
1"	25.3	CAP190599
1 1/4"	26.0	CAP190699
1 1/2"	26.5	CAP190799
2"	27.2	CAP190899
2 1/2"	40.5	CAP190999
3"	42.0	CAP191099
3 1/2"	43.2	CAP191199
4"	44.0	CAP191299

All dimensions in mm.



ISO - METRIC SELECTION TABLE				
STOPPING PLUG				POLYAMIDE CATALOG NUMBER
THREAD SIZE	A	L	E	
12	15.0	4.0	15.0	CAP191127
16	19.0	4.0	15.0	CAP191167
20	23.0	4.0	15.0	CAP191207
25	28.0	5.0	15.0	CAP191257
32	36.0	5.5	15.0	CAP191327
40	44.0	5.5	15.0	CAP191407
50	54.0	6.0	16.0	CAP191507
63	67.0	6.5	17.0	CAP191637

All dimensions in mm.

